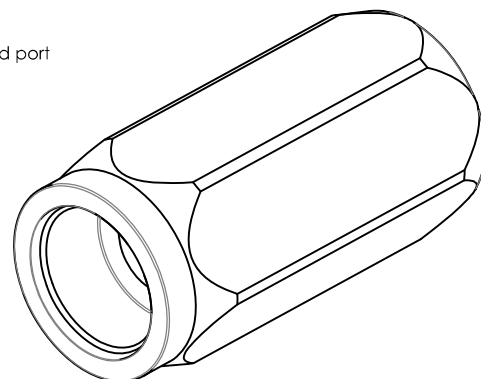
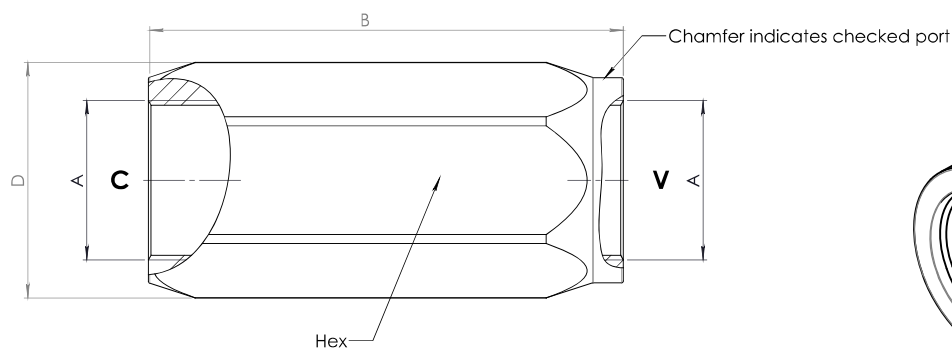
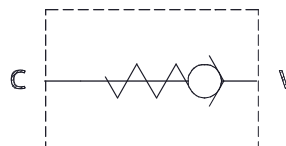


Dimensions

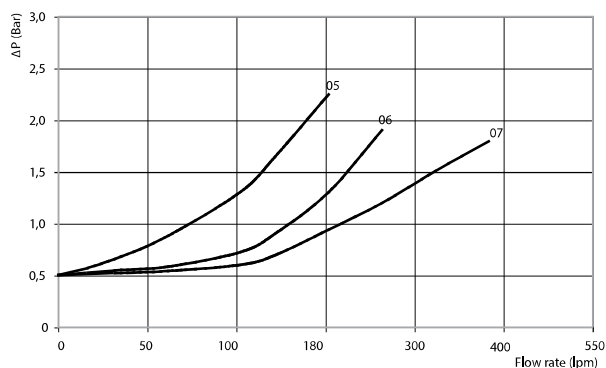
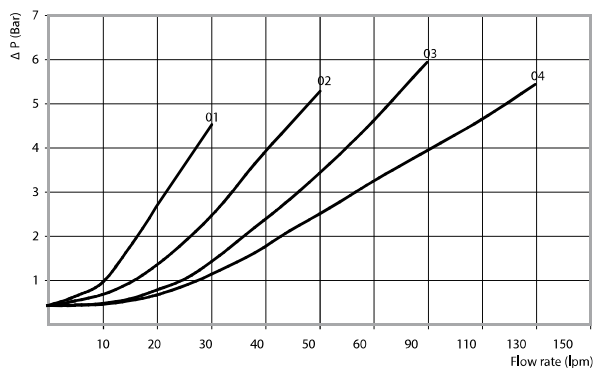


Size	A BSP	B	D	Hex	Weight kg	Max Pressure bar	Max Flow rate lpm
01	1/4	58	21	19	0,10	400	30
02	3/8	62	27	24	0,19	400	50
03	1/2	71	33	30	0,32	350	90
04	3/4	83	40	36	0,58	300	130
05	1	106	57	50	0,93	280	180
06	1 1/4	125	63	55	1,51	260	250
07	1 1/2	137	74	65	2,41	220	380

Hydraulic Symbol



Curves



Materials: Zinc plated steel body, hardened steel poppet.

Ordering Code

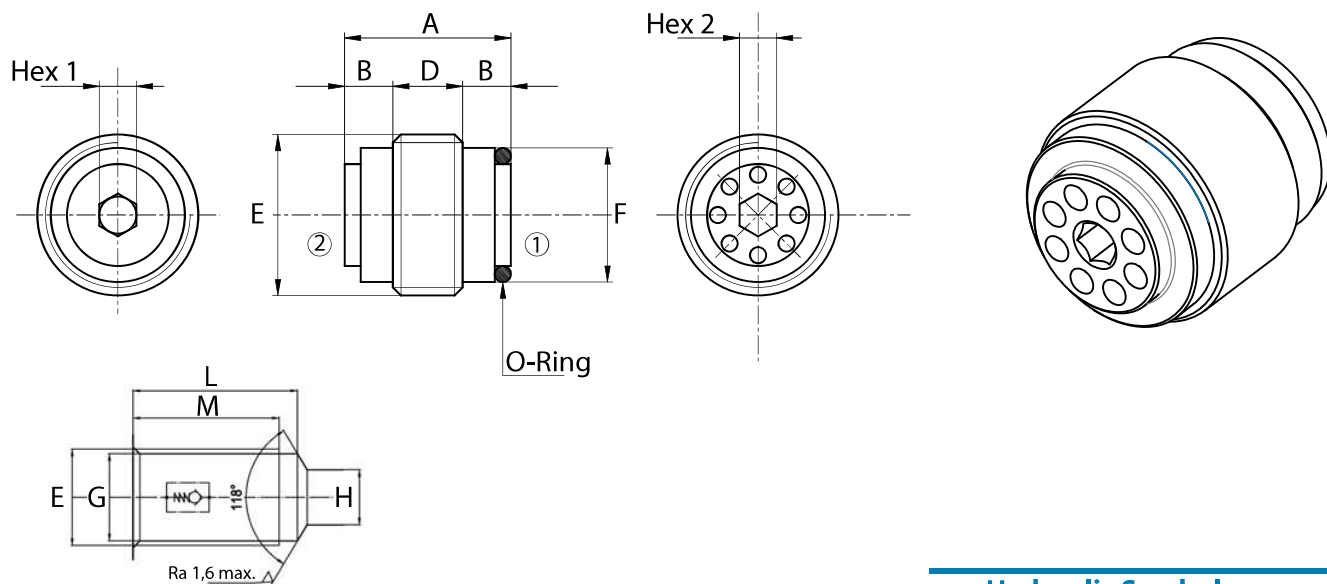
CVL -- -

	Size BSP
01	1/4
02	3/8
03	1/2
04	3/4
05	1
06	1 1/4
07	1 1/2

	Spring (bar)
	0,5
4	4
8	8

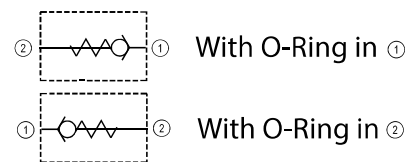
Ordering Code Example: CVL03 = 1/2 BSP - 0,5 bar Cracking pressure.

Dimensions

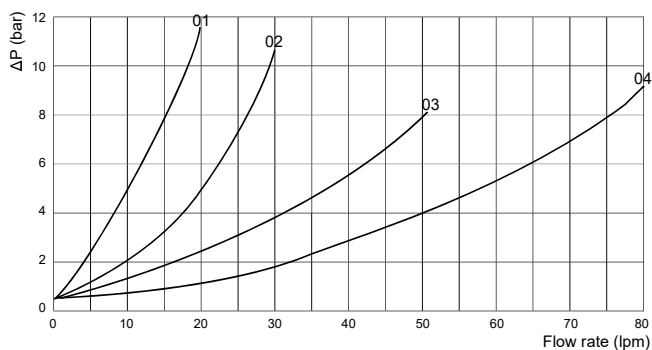


Size	A	B	D	E BSP	F	G	H max	L	M	Hex1	Hex2	O-Ring	Weight kg
01	17	5,5	6	1/4	11,3	11,8	8	29	26	3	3	1 x 9	0,01
02	18,5	5,5	7,5	3/8	14,8	15,2	9	30	27	4	3	1,78 x 10,82	0,02
03	23	7	9,5	1/2	18,5	19	12	36	32	6	5	1,78 x 14	0,04
04	28,5	7,5	14,5	3/4	24	24,5	16	43	39,5	8	8	2,62 x 18,72	0,07

Hydraulic Symbol



Curves



Features

Size	01	02	03	04
Max Pressure (bar)	350	350	350	350
Max Flow Rate (lpm)	20	30	50	80
Cracking Pressure (bar)	0,5	0,5	0,5	0,5
Tightening Torque (Nm)	6	10	20	30

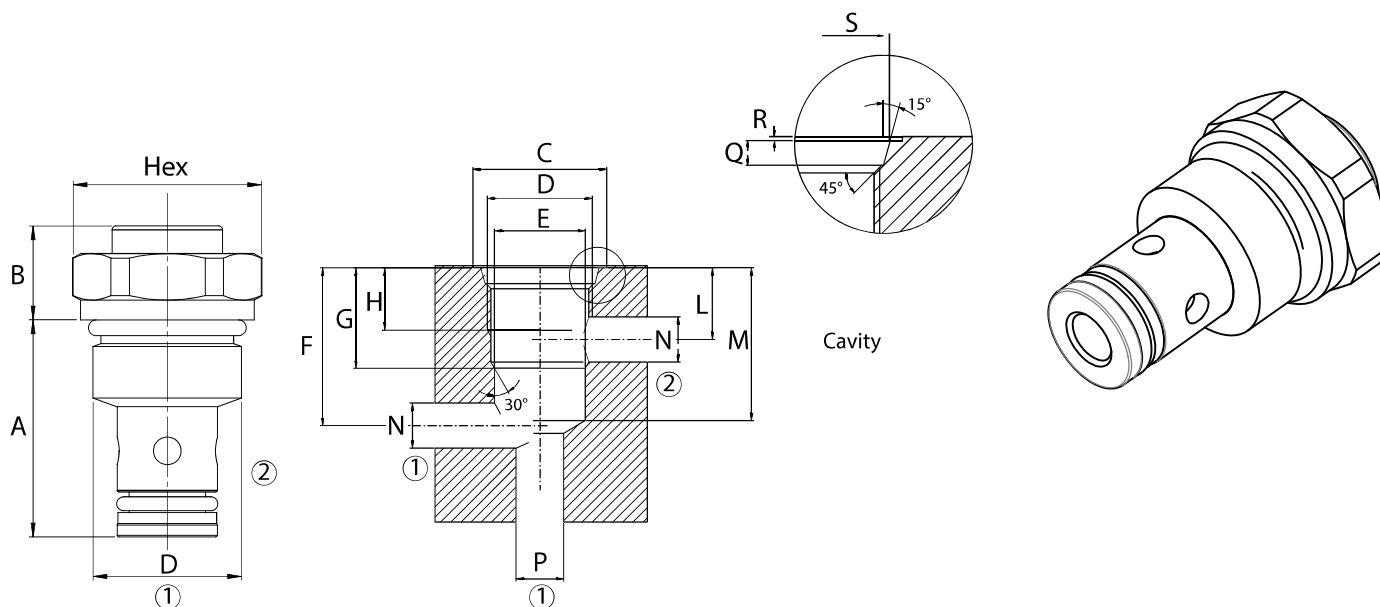
Materials: Steel cartridge.

Ordering Code

CVI	--
	Size BSP
01	1/4
02	3/8
03	1/2
04	3/4

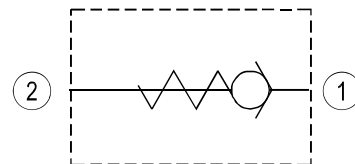
Ordering Code Example: CVI02 = 3/8 BSP.

Dimensions

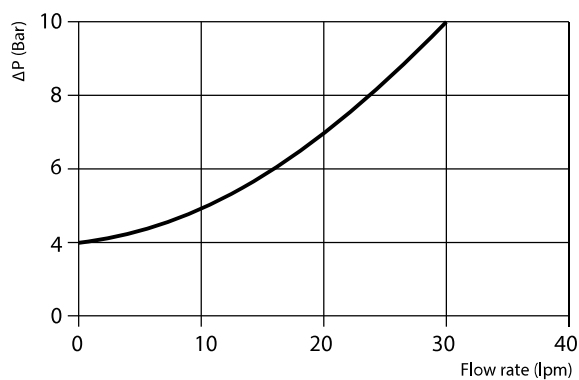


A	B	C	D	E _{H7}	F	G	H	L	M	N _{max}	P _{max}	Q	R	S	Hex	Weight kg
27,5	12	28	3/4-16UNF	Ø12,7	31,5	19	13	13	29	9	11	2,5	0,5	20,7	22	0,055

Hydraulic Symbol



Curves



Features

Max Flow Rate	20 lpm
Max Pressure	350 bar
Cracking Pressure	4 bar
Tightening Torque	50-60 Nm

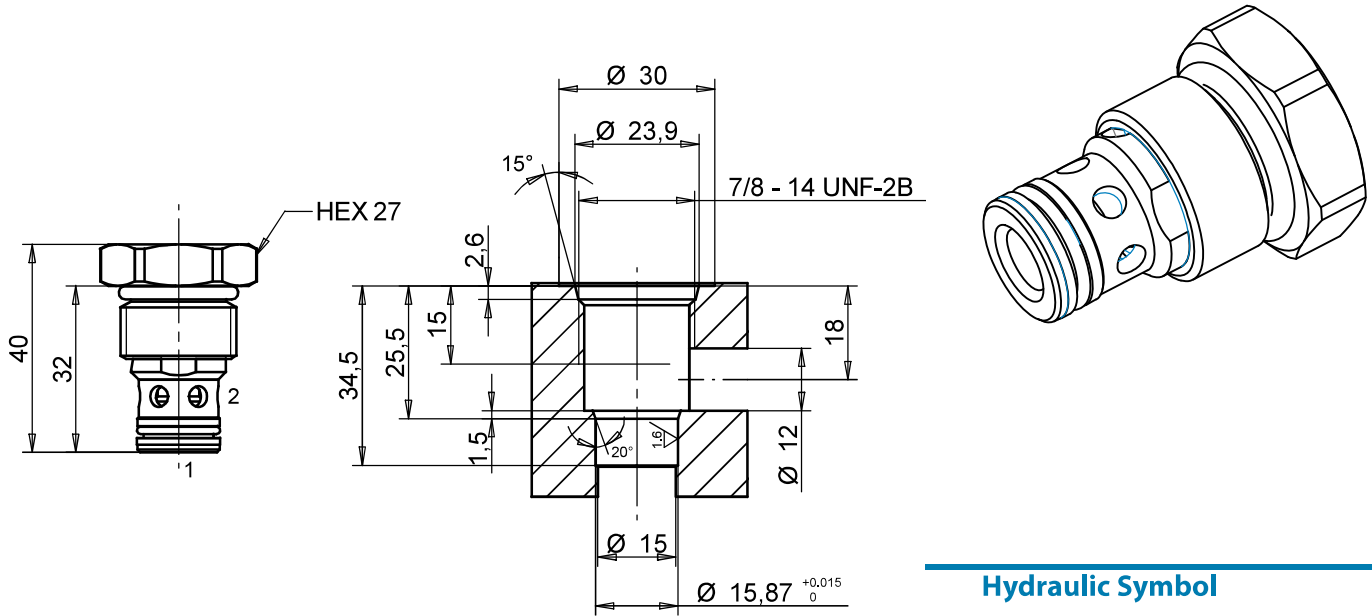
Materials: Zinc plated steel cartridge.

Ordering Code

CVC 20

Ordering Code Example: CVC20.

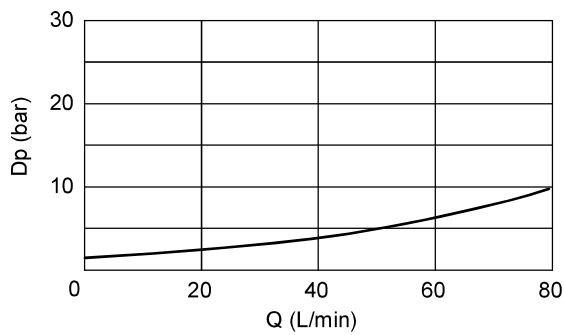
Dimensions



Hydraulic Symbol



Curves



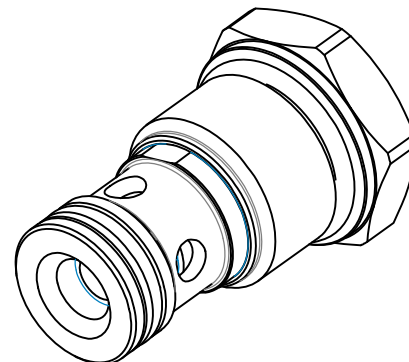
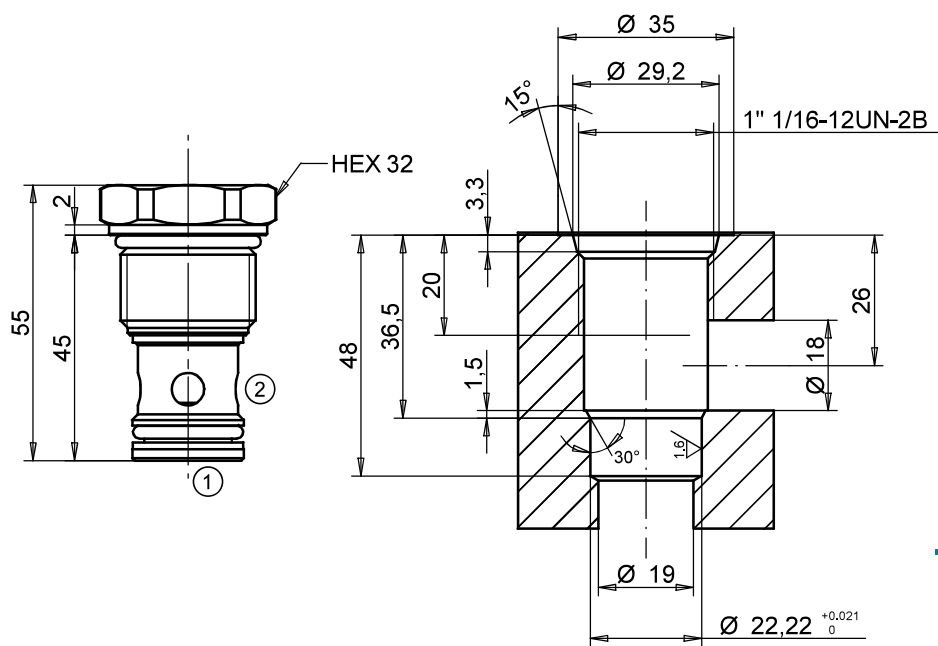
Features

Max Flow	80 lpm
Max Pressure	350 bar
Cracking Pressure	1,5 bar
Installation Torque	40-45 Nm

Ordering Code

CVC 80

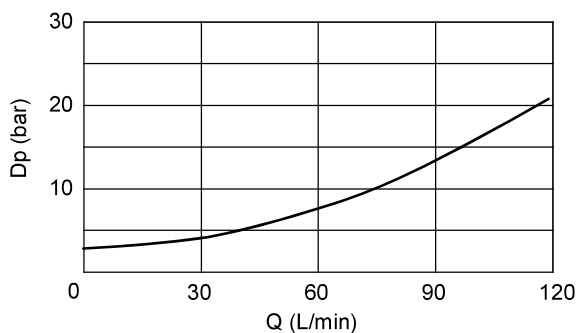
Dimensions



Hydraulic Symbol



Curves



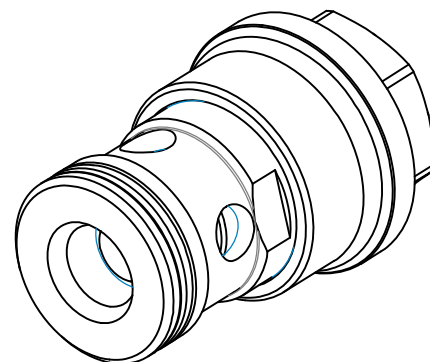
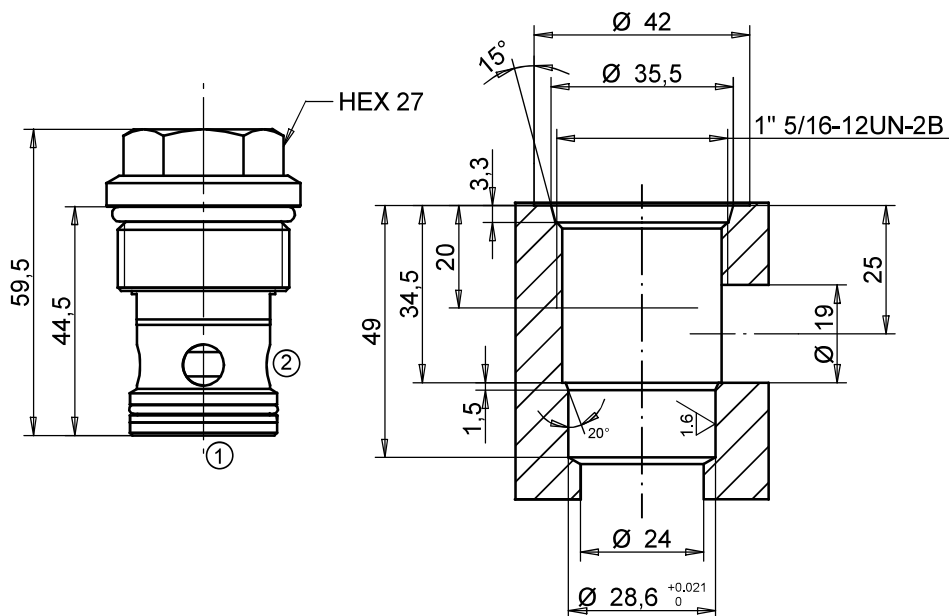
Features

Max Flow	120 lpm
Max Pressure	350 bar
Cracking Pressure	3,5 bar
Installation Torque	80-95 Nm

Ordering Code

CVC 120

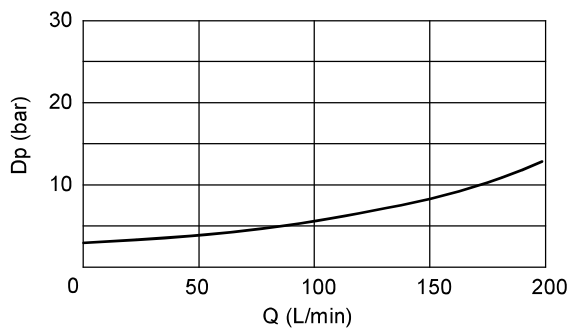
Dimensions



Hydraulic Symbol



Curves



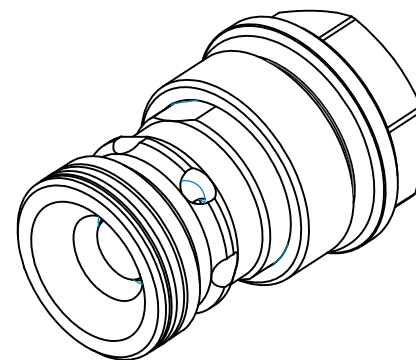
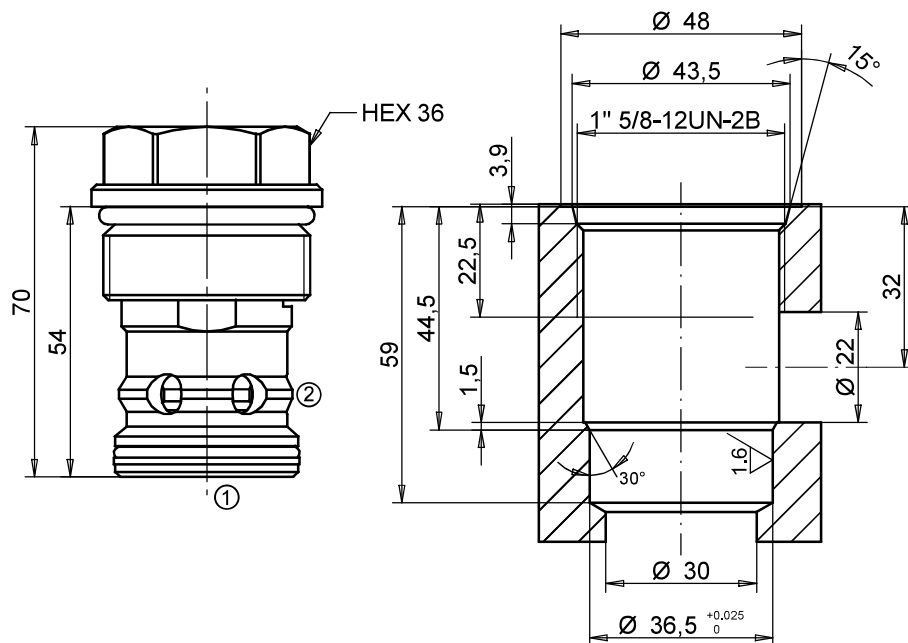
Features

Max Flow	200 lpm
Max Pressure	350 bar
Cracking Pressure	3,5 bar
Installation Torque	105-120 Nm

Ordering Code

CVC 200

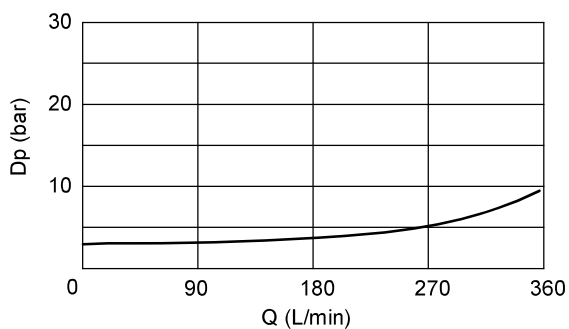
Dimensions



Hydraulic Symbol



Curves



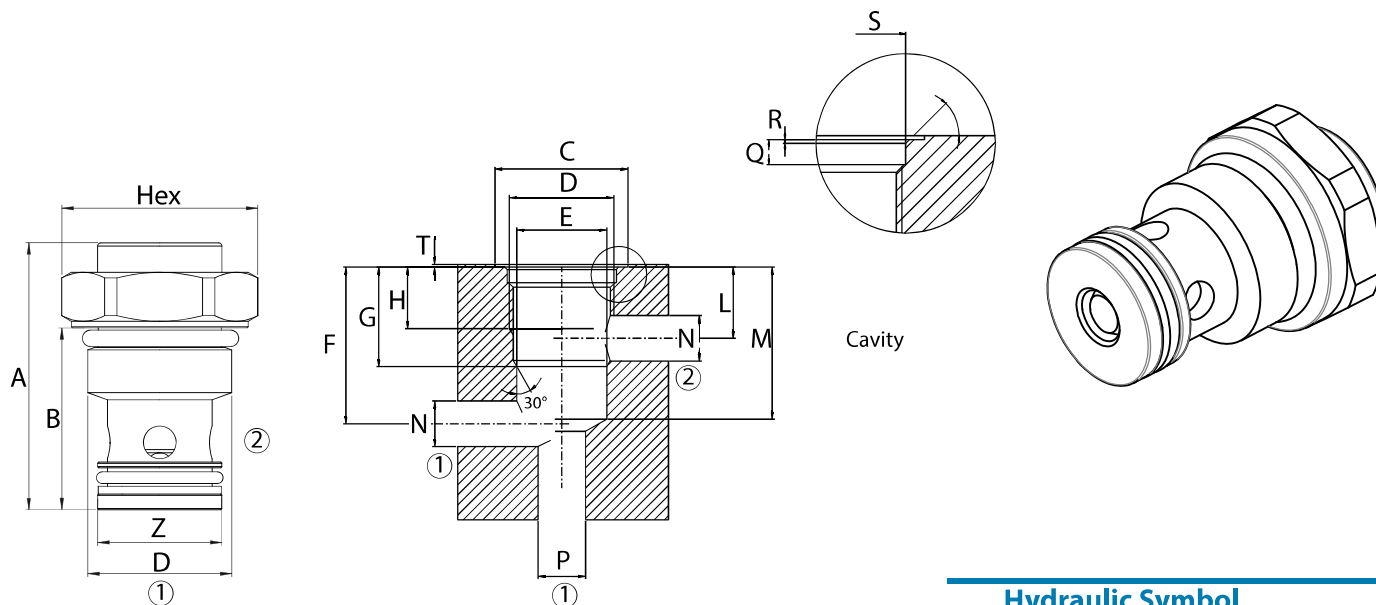
Features

Max Flow	360 lpm
Max Pressure	350 bar
Cracking Pressure	3,5 bar
Installation Torque	125-145 Nm

Ordering Code

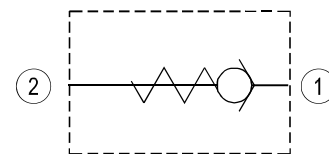
CVC 360

Dimensions

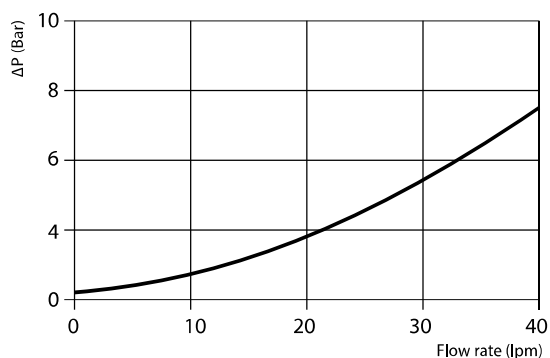


A	B	C	D	E H7	F	G	H	L	M	N max	P max	Q	R	S	T	Z	Hex	Weight kg
34,5	28	28	M22x1,5	Ø19	33	21	13	15	32	9,5	18	3,3	0,5	20,7	0,5	19	27	0,075

Hydraulic Symbol



Curves



Features

Max Flow Rate	40 lpm
Max Pressure	350 bar
Cracking Pressure	0,5 bar
Tightening Torque	50-60 Nm

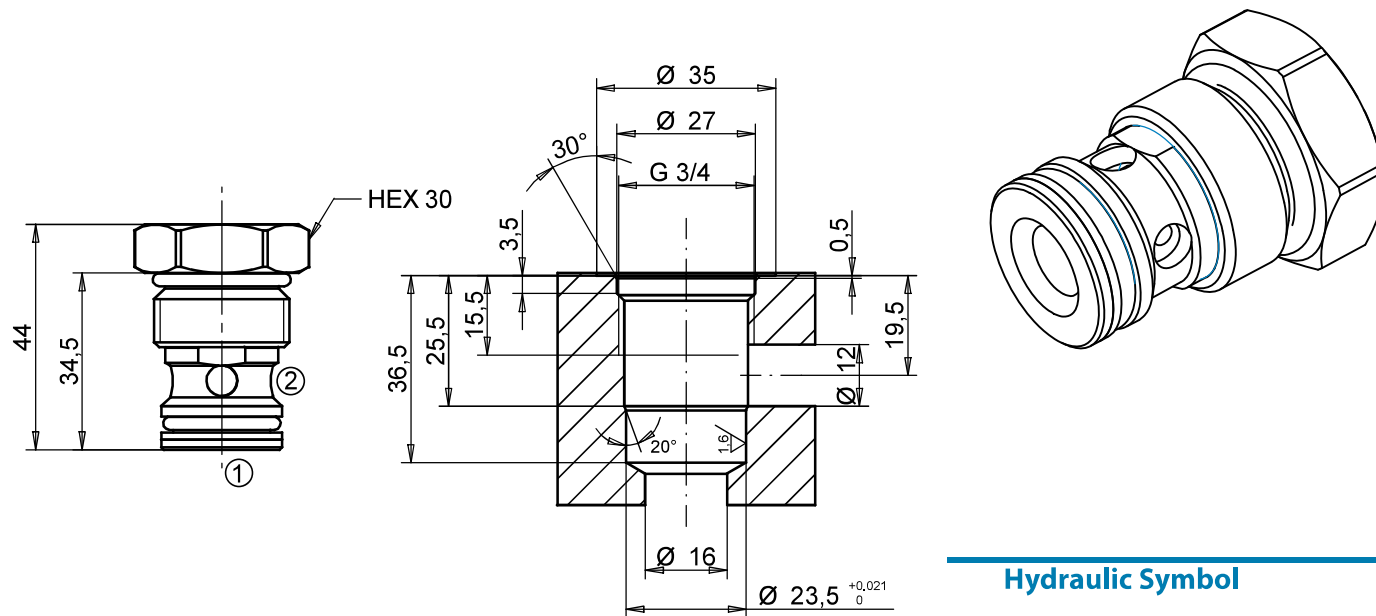
Materials: Zinc plated steel cartridge, hardened steel poppet.

Ordering Code

CVC40

Ordering Code Example: **CVC40**.

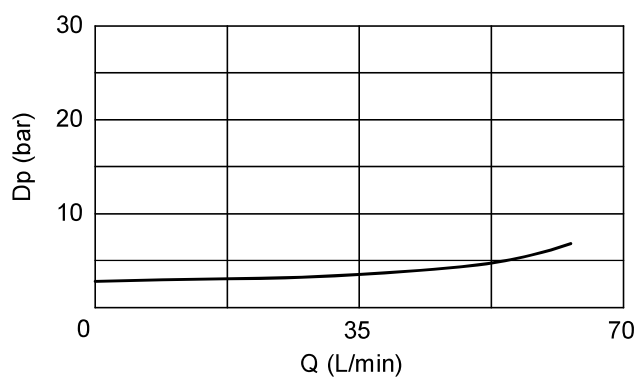
Dimensions



Hydraulic Symbol



Curves



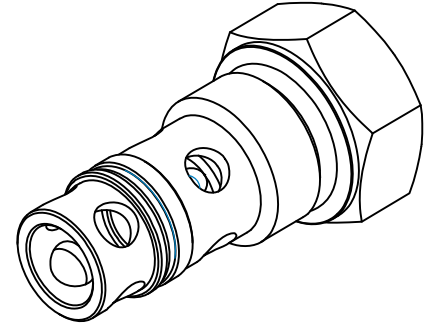
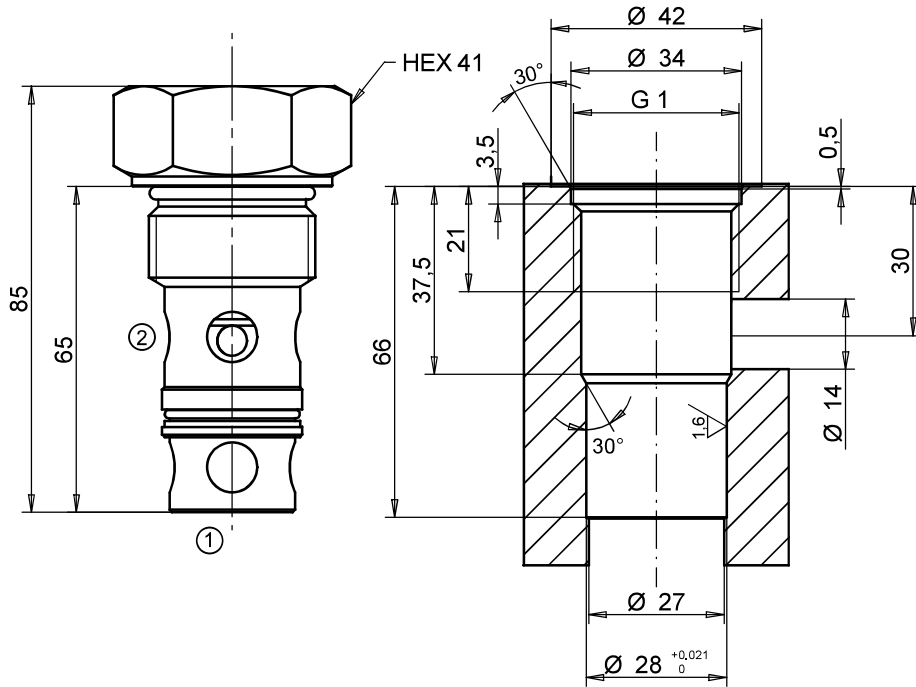
Features

Max Flow	65 lpm
Max Pressure	350 bar
Cracking Pressure	3 bar
Installation Torque	80-100 Nm

Ordering Code

CVC 03

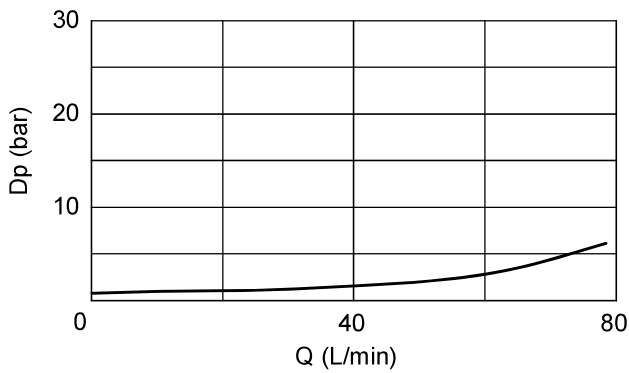
Dimensions



Hydraulic Symbol



Curves



Features

Max Flow	80 lpm
Max Pressure	350 bar
Cracking Pressure	1 bar
Installation Torque	110-125 Nm

Ordering Code

CVC 04